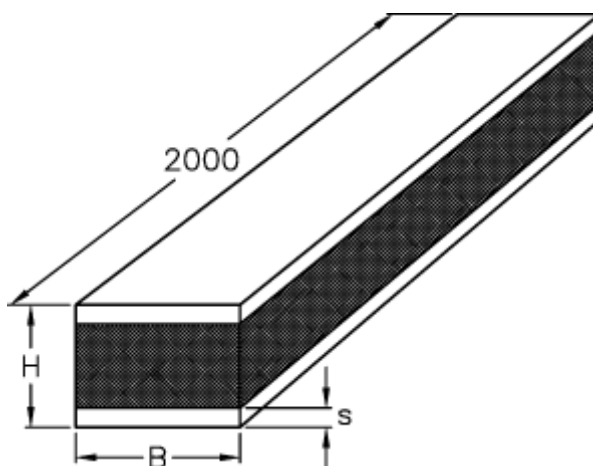


Article number: 51030453000010

Description: Vibration damper GS-M2
100x40x2000-15, NR shore 57

Measures



B = 100

H = 40

S = 15